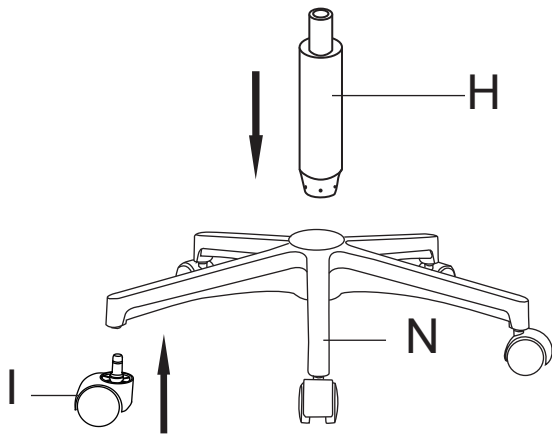


DAGNY LK-8006

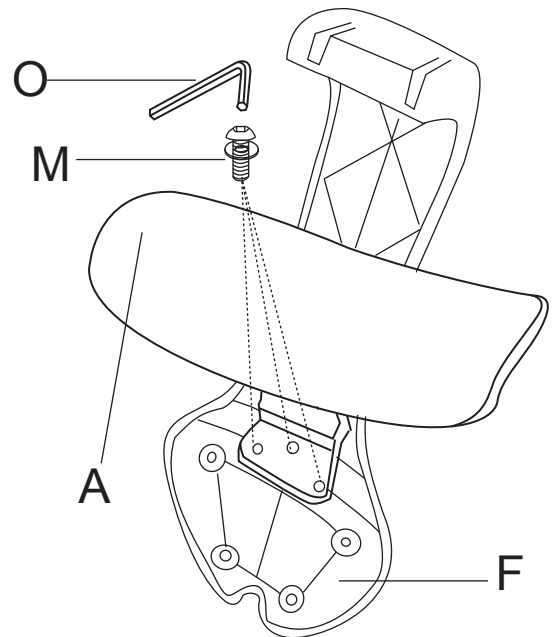


<p>AX1</p>	<p>B X2</p>	<p>C X1</p>	<p>D X1</p>	<p>E X1</p>
<p>F X1</p>	<p>G X2</p>	<p>H X1</p>	<p>I X5</p>	<p>J X1</p>
<p>K X3</p> <p>M8x25mm</p>	<p>L X6</p> <p>M6x30mm</p>	<p>M X11</p> <p>M6x20mm</p>	<p>N X1</p>	<p>O X1</p>

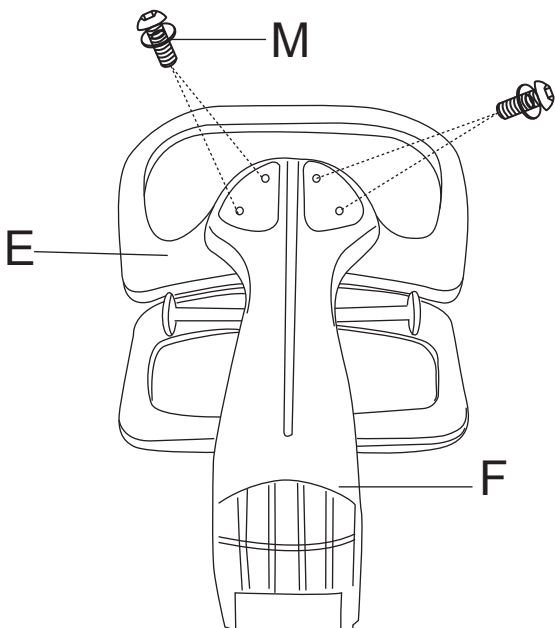
1



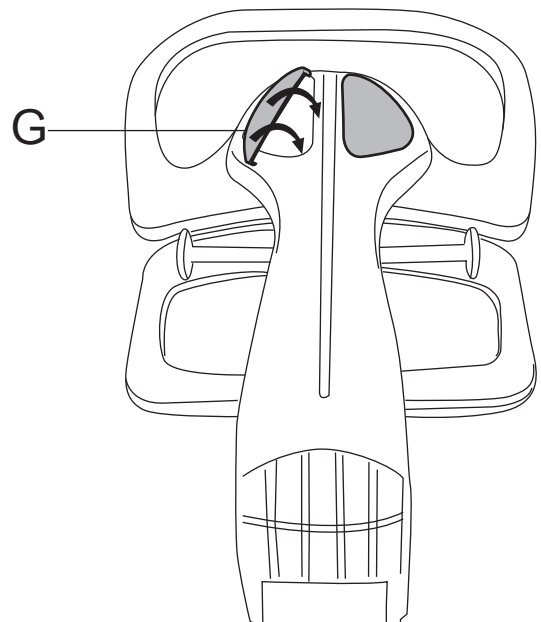
2



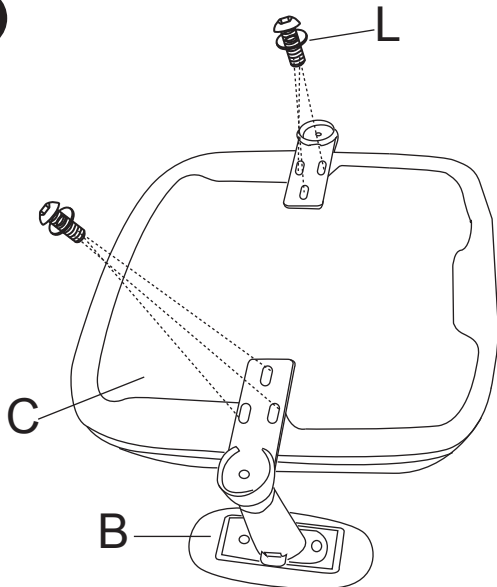
3



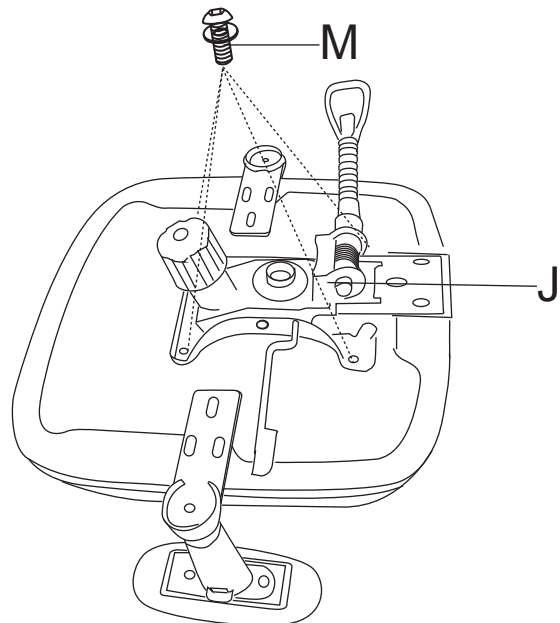
4



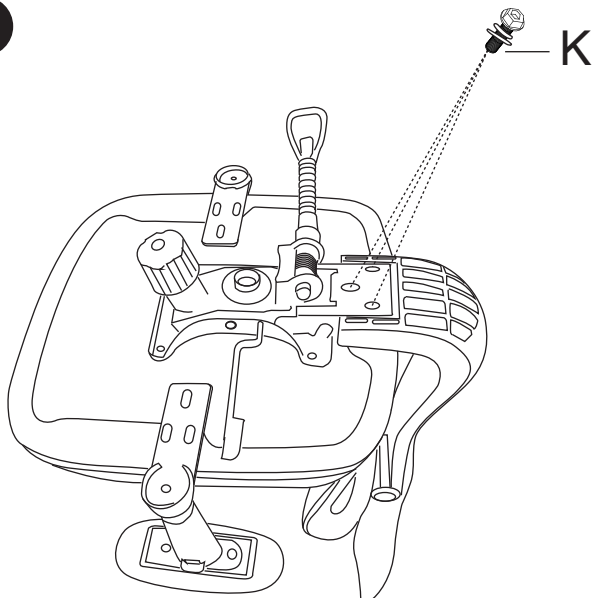
5



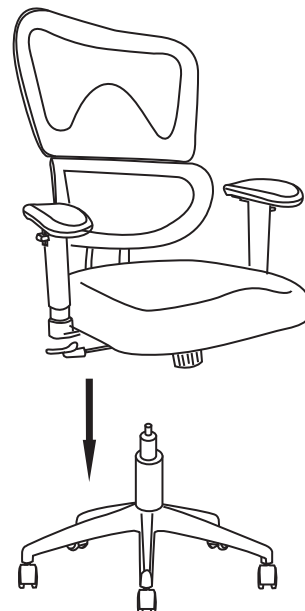
6



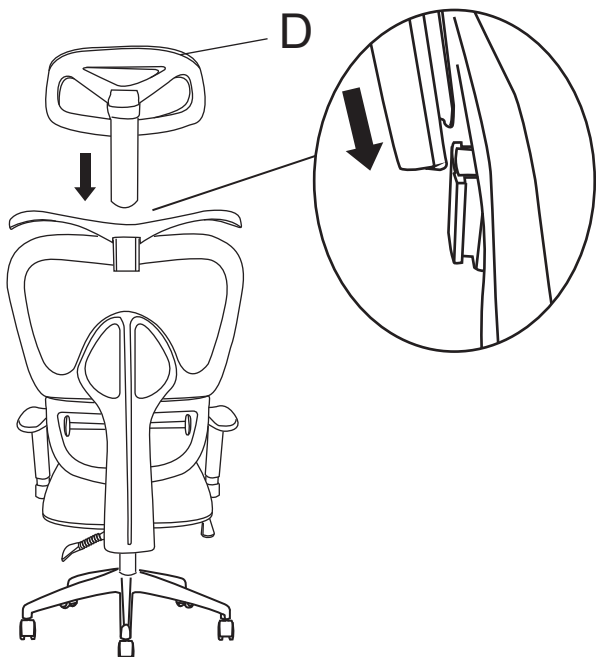
7



8



9



10

